


# PRODUCT SHEET

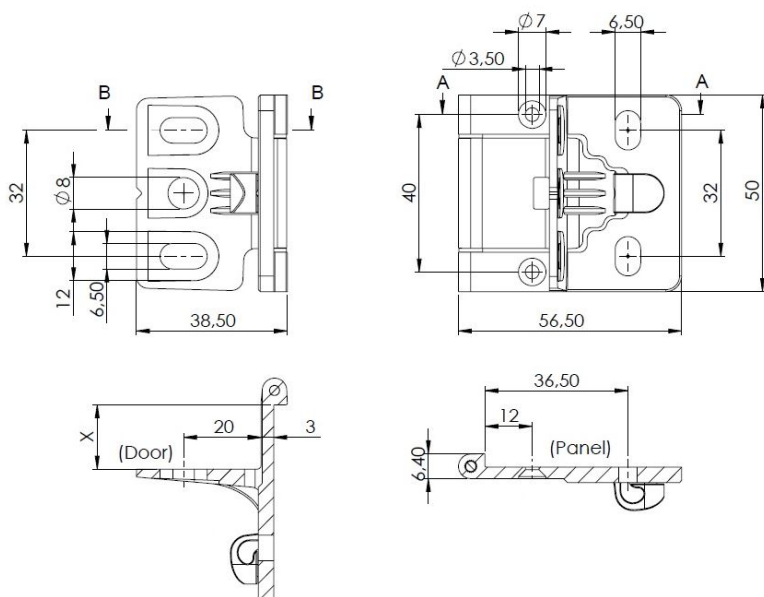
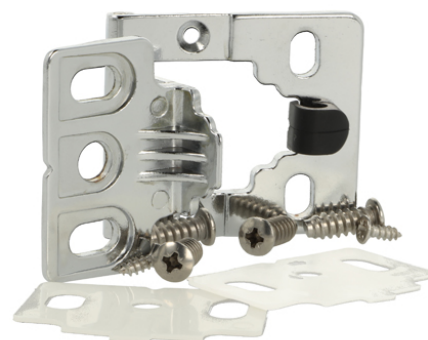
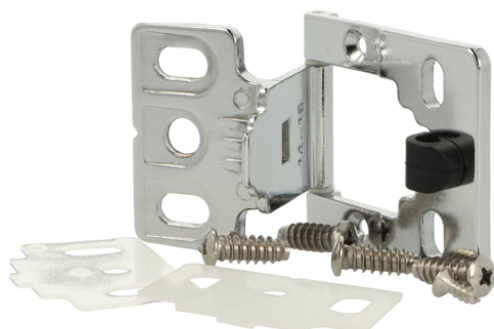
## Description:

Cabinet Hinge "Easy", F/Inset Doors, CPL, Min.180DG, F/14-16mm Panel, W/Catch, Zamak Body & Stainless Steel Axel, Incl. 4, SS Euro Screws  $\varnothing 6,3 \times 16$ mm + 2 CSK Steel Screws  $3,5 \times 10$ mm, & 2 White PA6 Gaskets - 1mm

## Item number:

15.04.110-0

Units	Box	Carton	HS Code	Barcode
Pcs.	10	200	8302100090	
				5704866484923



## SISO A/S

Mileparken 11  
DK-2740 Skovlunde  
Denmark  
VAT: DK 24786013

Phone +45 45 830 900

[www.siso.dk](http://www.siso.dk)  
[siso@siso.dk](mailto:siso@siso.dk)

Danske Bank  
Nytorv Branch  
Copenhagen  
SWIFT: DABADKKK

Account no.  
4180 3112 112936  
IBAN Account  
DK7230003112112936